

GENERAL INFO

INTERNAL / EXTERNAL

Premium dual water filter housing assembly to reduce sediment, bad taste and odours from your water supply.

The CD Series are compact, durable and robust water filter assemblies to deliver pure, healthy and great-tasting water everytime. Designed for internal or external use, these filter housing assemblies suit a wide variety of different applications. The latest in filter housing engineering constructed using reinforced polypropylene that is pressure tested beyond industry standards. These housing are compatible with a broad range of cartridges, meaning you can meet all of your filtration needs including high-flow and heavy sediment applications.

FEATURES & BENEFITS

- Compact, durable, economical design.
- Specifically designed for internal or external use.
- Accepts all 9¾" (10") cartridges for different applications (not included).
- Heavy duty stainless steel bracket for durability and ensures no rusting.
- 10 year product warranty<sup>^</sup>.



CD13

Twin Housing Assembly,  
¼" Quick Connect Connection

CD13-3

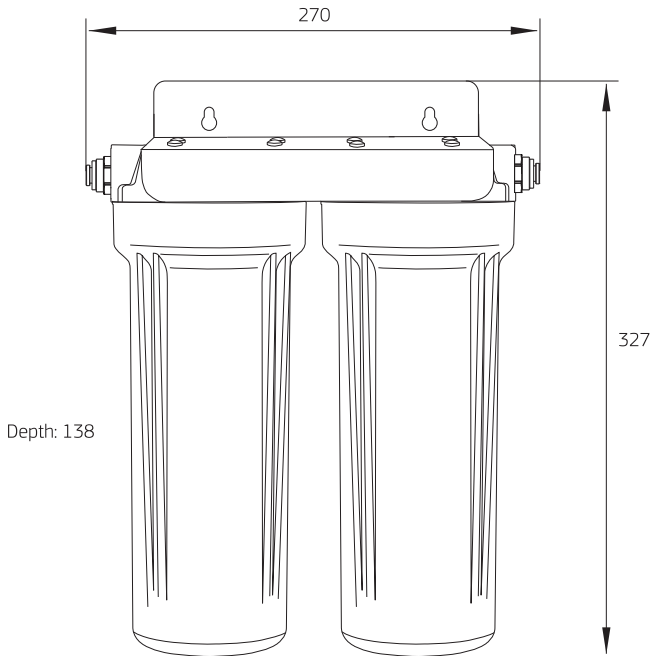
Twin Housing Assembly,  
¾" Connection

SPECIFICATIONS

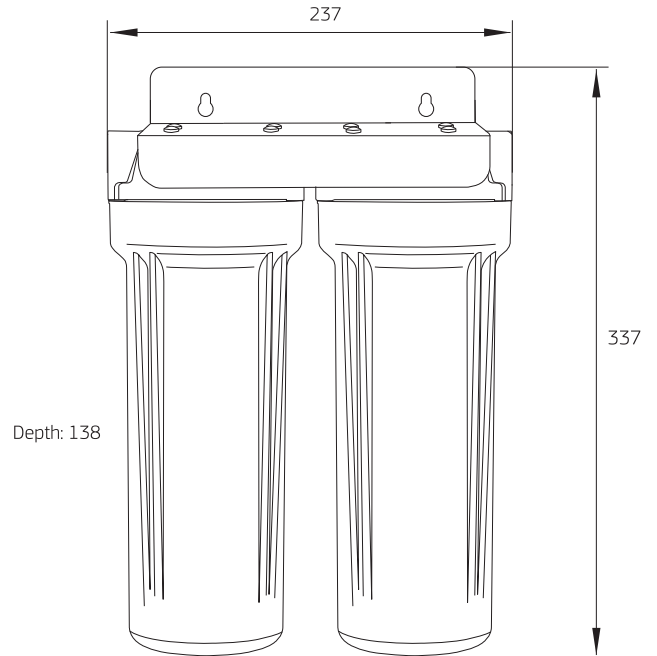
Model Number:	CD13	CD13-3
Flow:	0 - 38 Lpm	0 - 38 Lpm
Min/Max Temperature:	0 - 52°C (protect from freezing)	0 - 52°C (protect from freezing)
Min/Max Pressure:	200 - 875* kPa	200 - 875* kPa
Connection:	¼" Quick Connect	¾" BSP [20 mm]
Approx. Space Required:	(W) 320 x (D)138 x (H) 380 mm	(W) 300 x (D)138 x (H) 390 mm
Warranty:	10 years <sup>^</sup>	10 years <sup>^</sup>

*Important Note: Cartridges and plumbing kit not included. Use only genuine Puretec replacement cartridge. <sup>^</sup>10 year warranty is 1 year parts and labour, plus 9 years parts only. \*Where line pressure exceeds 500 kPa, an approved pressure limiting device must be installed to comply with Australian & New Zealand Plumbing Standards. (Ref. AS/NZS 3500.1:2021, Clause 3.3.4).*

**PRODUCT DIMENSIONS** Measurements in Millimeters (mm)



**CD13**



**CD13-3**



- Note:**
1. No claims can be made based on the specifications and images in this document. The design, technology, colours, features and prices are subject to change.
  2. This document and all its contents are copyright protected. All rights are reserved, particularly alteration, translation and reproduction using electronic systems.
  3. ^Warranties in this document cover parts for the period stated and include cover for parts and labour for the first year where applicable, subject to approval. Plus 9 years parts only. Our Water Filtration Specialists can provide you with advice to suit your needs.